

KW-FW1-A/B [A:AC , B:Battery]

FILLET WELDER, WALL TRAVEL, ONE TORCH, STITCH & CONTINUOUS

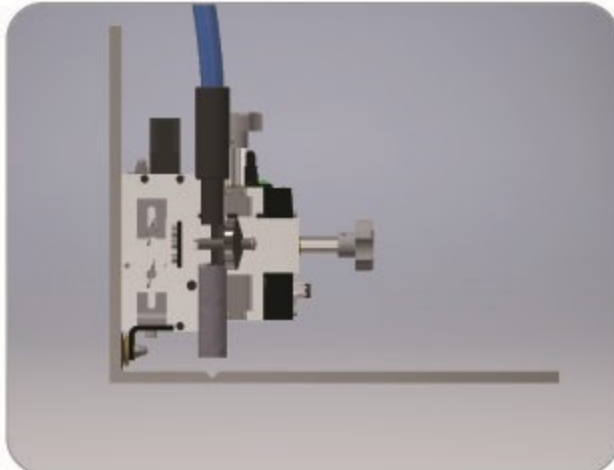
APPEARANCE



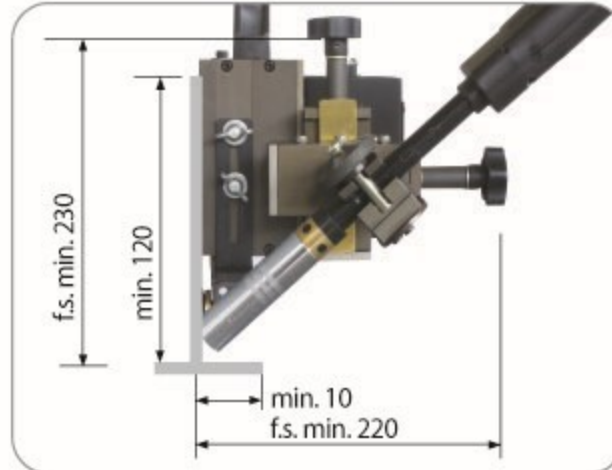
FEATURES

- Single torch, Wall driving where can't use floor travel
- Stitch & continuous welding.
- X-Y slider helps setting torch widely
- Both mechanized & manual torches useful.
- Max pulling power 20kgf and Max. 30° climbable.
- Crate filling time at the beginning and ending of the welding can be controlled for 0~3 seconds.
- Travel speed in cm/min or inch/min programmable.
- Battery power, 18Vdc 6.0Ah lithium-ion, 10-12Hrs use

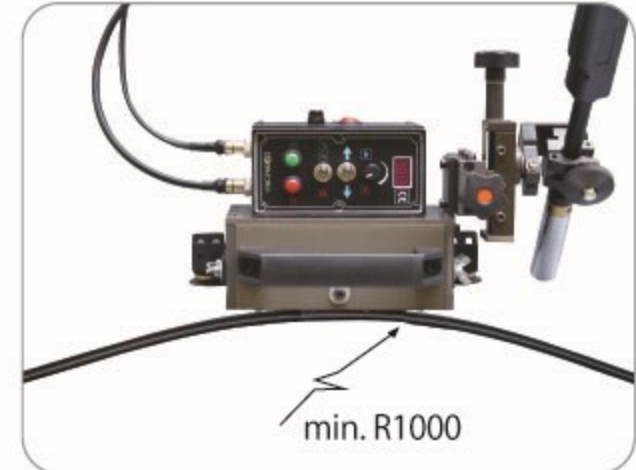
BUTT WELDING



FILLET WELDING



RADIUS



MAJOR PARTS	DESCRIPTIONS	SPECIFICATIONS
General	Size in mm(WHL), Weight	Carriage: 380 x 215 x 230, 6.0Kg Packing: 400 x 400 x 300, 10kg
	Input source	AC 100-240V, 50-60Hz, 1Phase Lithium-ion Battery 18Vdc 6.0Ah, 10-12Hrs use
Traveling Unit	Power unit	24Vdc, 10W, 5,000rpm
	Reducer	1:624
	Speed	860mm/min
	Power transmission	4 wheels chain driven
	Magnet location	Bottom on the carriage
X-Y slide	X-slide stroke	0~50mm
	Y-slide stroke	0~50mm